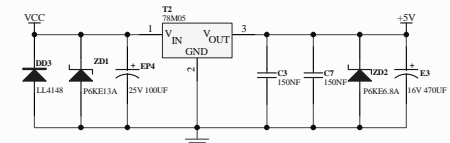
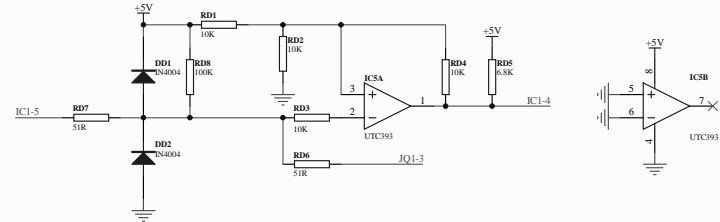
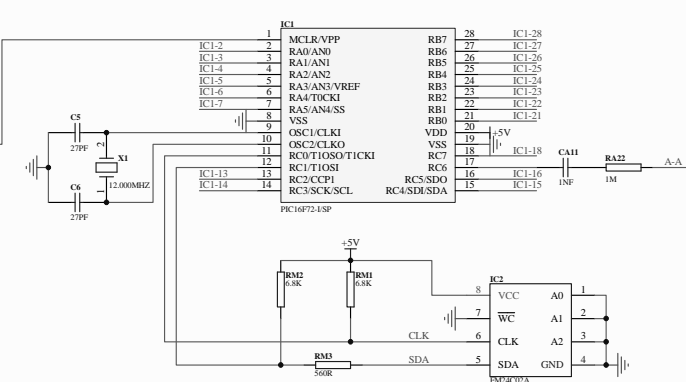
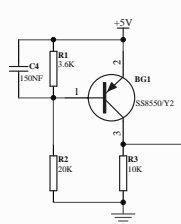
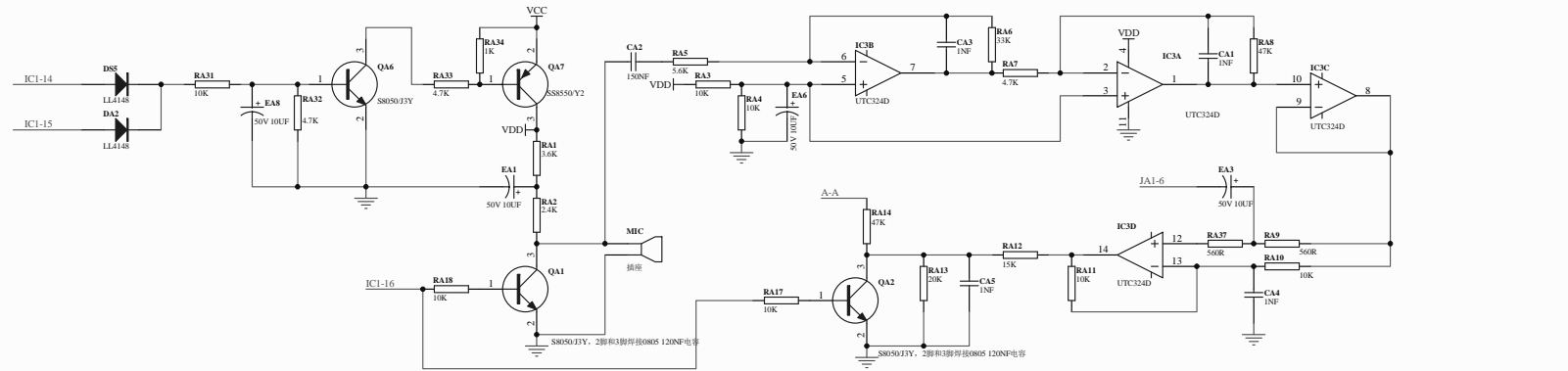


B

C

B

C



Title		
Size	Number	Revision